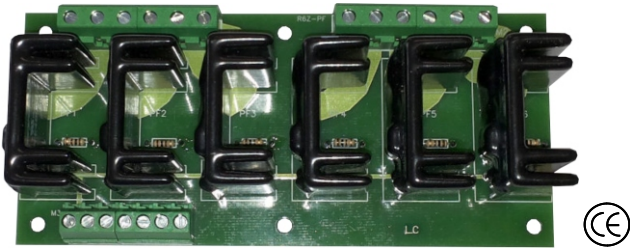
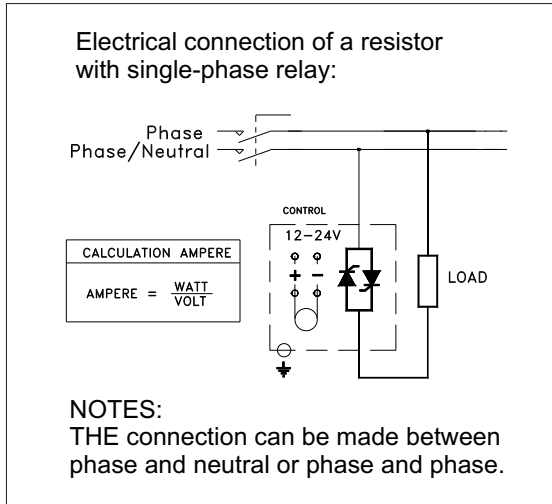


Card R6Z-PF 6 Zone Singlephase 10A 230-440V AC 50 / 60Hz.

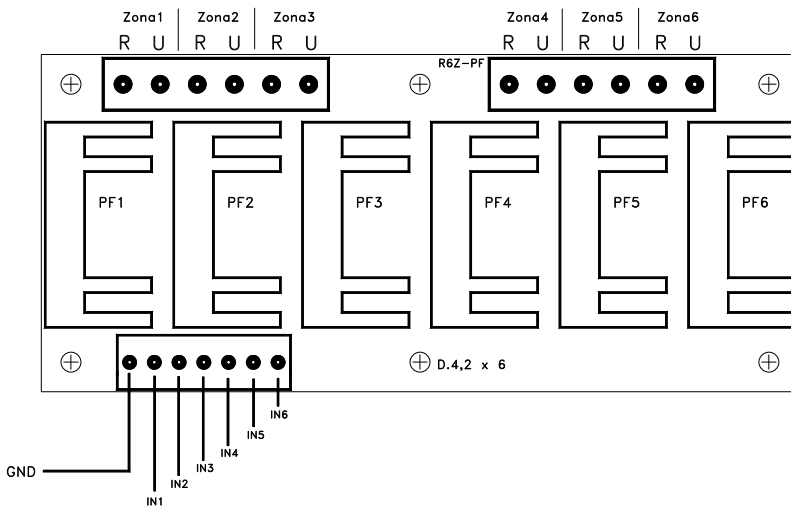
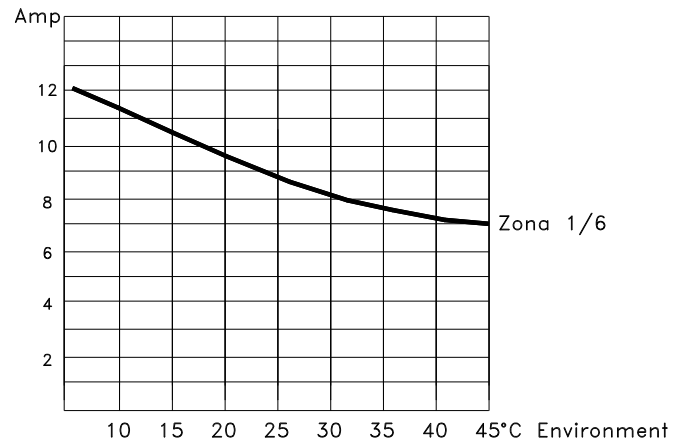
G.S.E.I. Controlli



N°6 Zone Singlephase ZERO-CROSSING.
 Suitable to control resistive loads
 single-phase and three-phase 48 to 440V ac. 50/60 Hz.
 Current of continuous work at 45 ° C 7Amp.
 Inrush current 25Amp.
 I2t for external fuse 450A (10ms).
 Logic control 12-24V DC 10mA.
 N°6 holes diameter 4.2mm for fixing
 isolated towers.



Temperature current output



Connections clamps

DIMENSIONS

